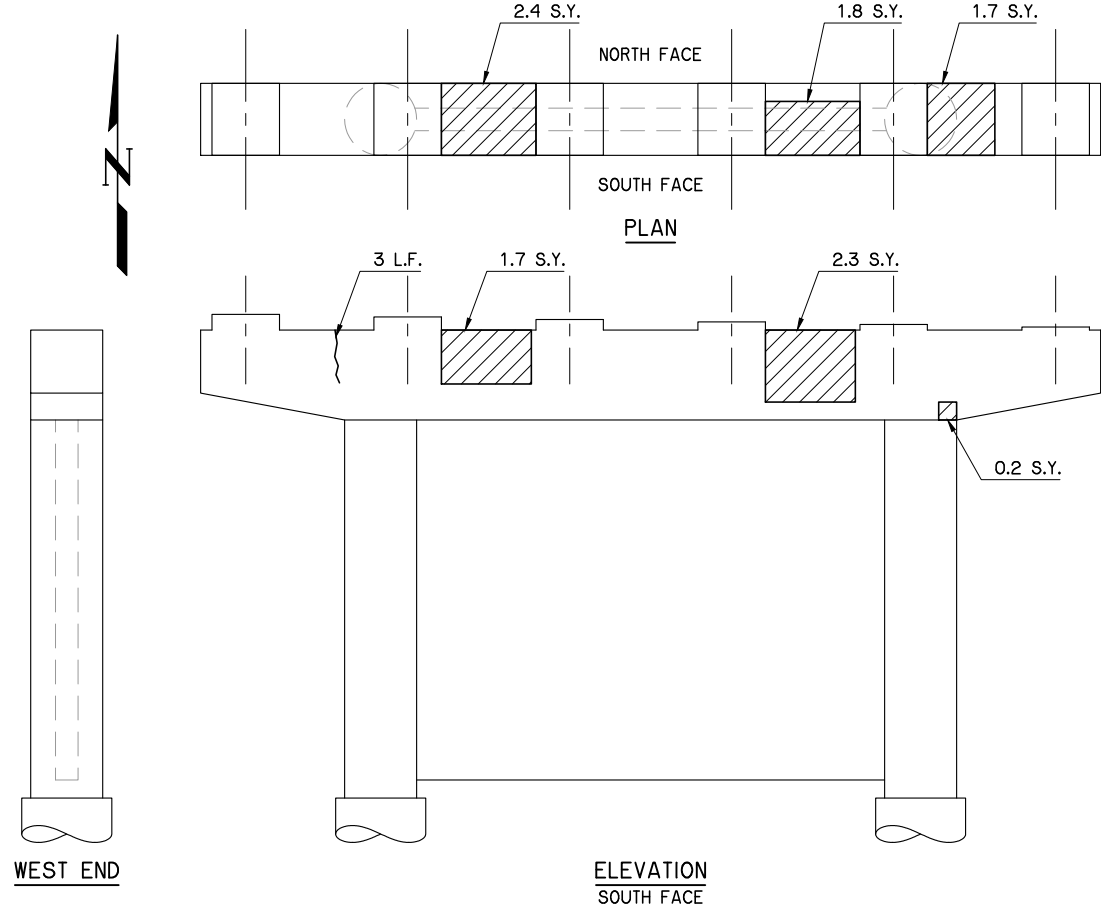
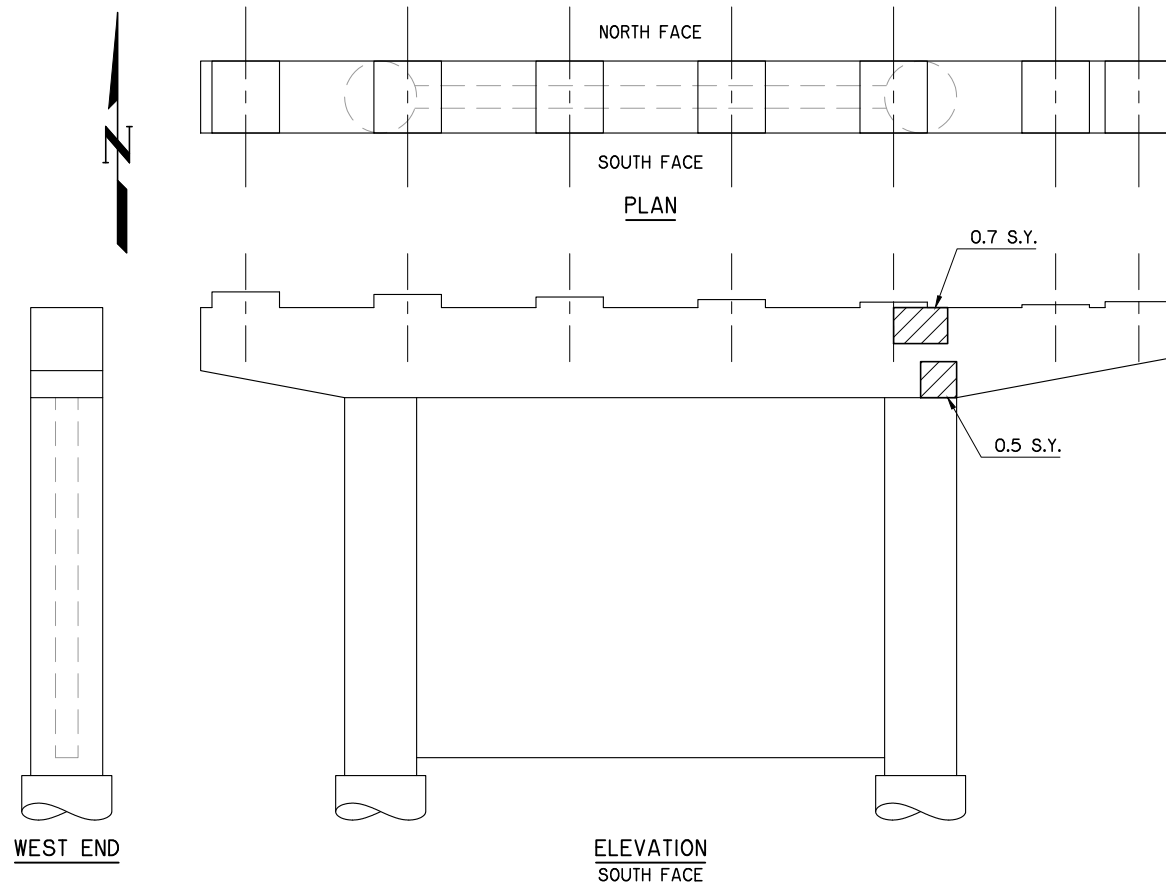
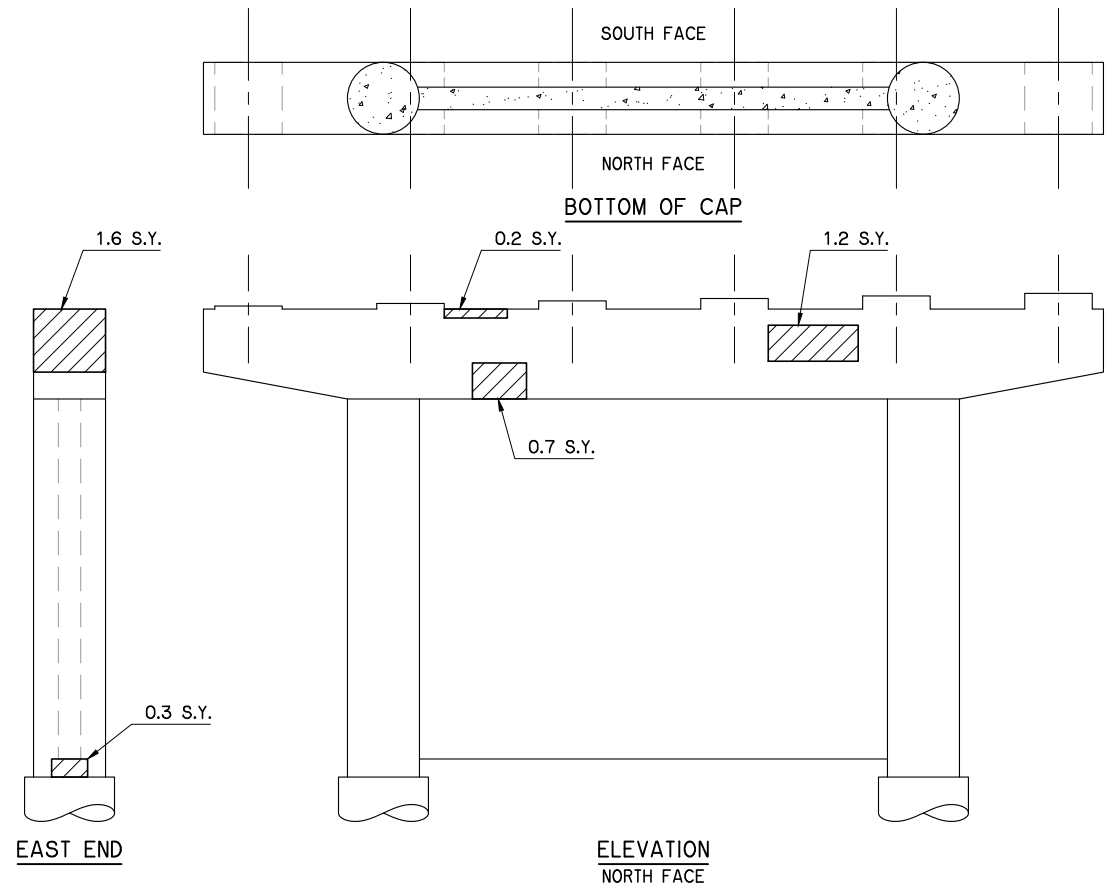


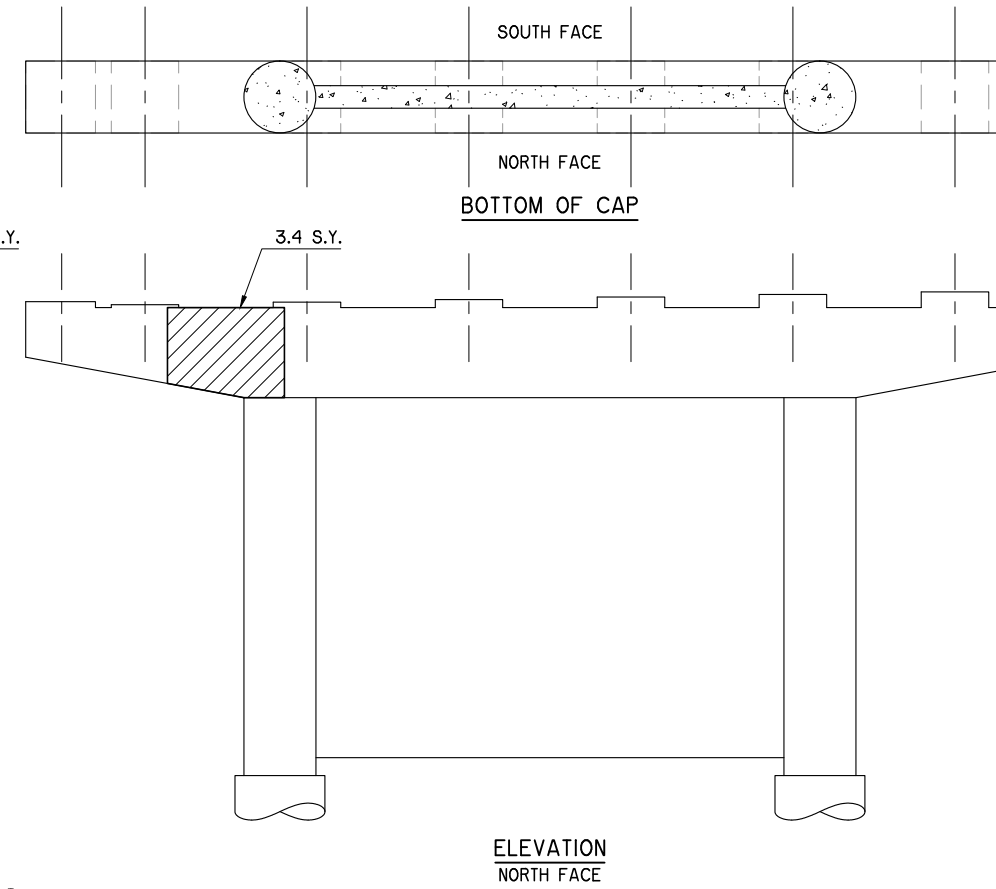
REVISIONS		
REV. NO.	DESCRIPTION	DATE



**PIER NO. 11**



**PIER NO. 12**



**LEGEND**

	PREPARATION OF CRACKS (ABOVE WATER)
	REPAIR BRIDGE ITEMS

I:\Active\1626\Drawings\18 Pier 11 & 12.dwg, 6/12/2017 11:12:03 AM, Fred

SH 51 NB OVER ARKANSAS RIVER	TULSA COUNTY	Design	ADT
<b>PIER REPAIR DETAILS</b> PIER NO. 11 AND NO. 12		Detail	FEZ
		Check	ADT
<b>STATE OF OKLAHOMA</b>		WHITE ENGINEERING ASSOCIATES	
		DEPARTMENT OF TRANSPORTATION	
JOB PIECE NO. 31358(04)		SHEET NO. 18	